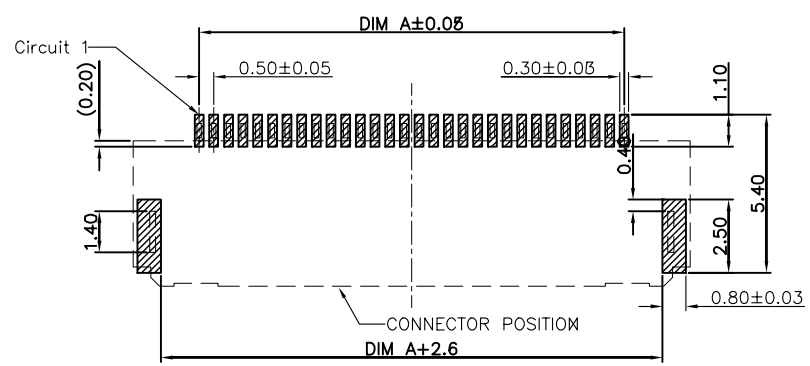
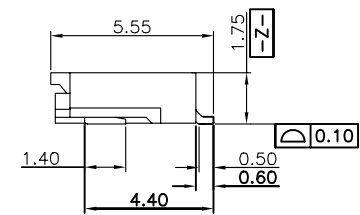
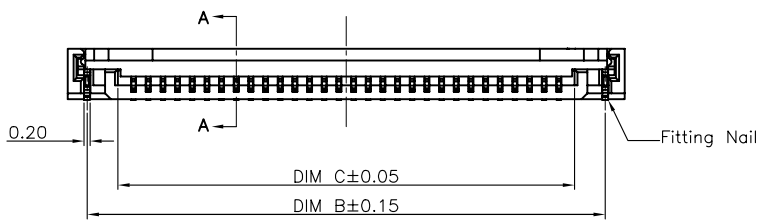


SECTION A-A
SCALE 1:1

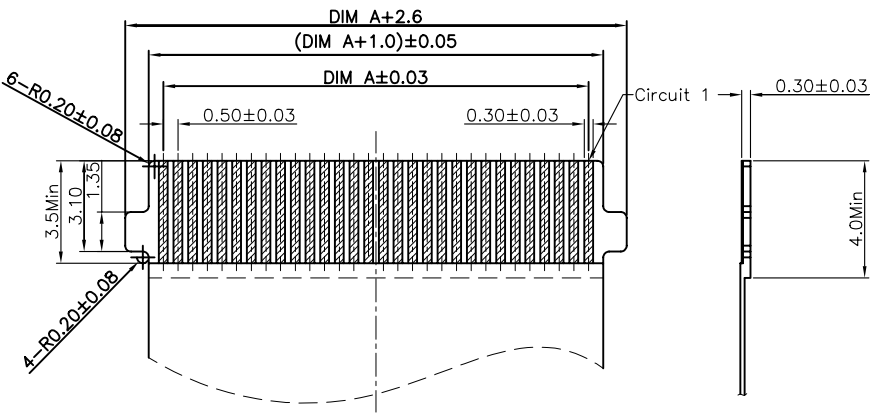
Note:
1. Material:
 1.1 Housing: thermoplastic high temp.UL94V-0; Color: natural.
 1.2 Latch: thermoplastic high temp.UL94V-0; Color: black.
 1.3 Terminal: copper alloy.
 1.4 Fitting Nail: copper alloy.
2. Finish:
 2.1 Terminal:
 Underplating: Au & Ni underplated.
 2.2 Fitting Nail:
 Underplating: matt Tin overall.
3. Product must comply HF RoHS specification.
4. Product No:
 AFC68-S ** F * A - **
 CKTS CONTACTS TYPE
 F:Lower
 PLATING
 I:Gold flash
 N:Au 10U"
 REMARKS
 HF:Halogen free
 PACKING
 A:Tape&Reel

CKTS	DIM A	DIM B	DIM C	DIM D
4	1.50	4.67	2.57	6.00
5	2.00	5.17	3.07	6.50
6	2.50	5.67	3.57	7.00
7	3.00	6.17	4.07	7.50
8	3.50	6.67	4.57	8.00
9	4.00	7.17	5.07	8.50
10	4.50	7.67	5.57	9.00
11	5.00	8.17	6.07	9.50
12	5.50	8.67	6.57	10.00
13	6.00	9.17	7.07	10.50
14	6.50	9.67	7.57	11.00
15	7.00	10.17	8.07	11.50
16	7.50	10.67	8.57	12.00
17	8.00	11.17	9.07	12.50
18	8.50	11.67	9.57	13.00
19	9.00	12.17	10.07	13.50
20	9.50	12.67	10.57	14.00
21	10.00	13.17	11.07	14.50
22	10.50	13.67	11.57	15.00
23	11.00	14.17	12.07	15.50
24	11.50	14.67	12.57	16.00
25	12.00	15.17	13.07	16.50
26	12.50	15.67	13.57	17.00
27	13.00	16.17	14.07	17.50
28	13.50	16.67	14.57	18.00
29	14.00	17.17	15.07	18.50
30	14.50	17.67	15.57	19.00
31	15.00	18.17	16.07	19.50
32	15.50	18.67	16.57	20.00
33	16.00	19.17	17.07	20.50
34	16.50	19.67	17.57	21.00
35	17.00	20.17	18.07	21.50
36	17.50	20.67	18.57	22.00
37	18.00	21.17	19.07	22.50
38	18.50	21.67	19.57	23.00
39	19.00	22.17	20.07	23.50
40	19.50	22.67	20.57	24.00
41	20.00	23.17	21.07	24.50
42	20.50	23.67	21.57	25.00
43	21.00	24.17	22.07	25.50
44	21.50	24.67	22.57	26.00
45	22.00	25.17	23.07	26.50
46	22.50	25.67	23.57	27.00
47	23.00	26.17	24.07	27.50
48	23.50	26.67	24.57	28.00
49	24.00	27.17	25.07	28.50
50	24.50	27.67	25.57	29.00
51	25.00	28.17	26.07	29.50
52	25.50	28.67	26.57	30.00
53	26.00	29.17	27.07	30.50
54	26.50	29.67	27.57	31.00
55	27.00	30.17	28.07	31.50
56	27.50	30.67	28.57	32.00
57	28.00	31.17	29.07	32.50
58	28.50	31.67	29.57	33.00
59	29.00	32.17	30.07	33.50
60	29.50	32.67	30.57	34.00

15Pin以上两个沉台
 15Pin (含) 以下一个沉台



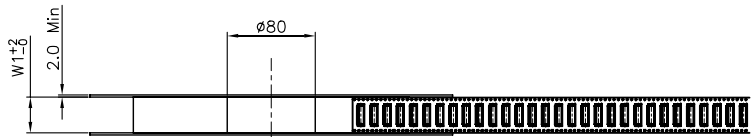
RECOMMENDED P.C.B PATTERN LAYOUT
 GENERAL TOLERANCE ±0.05



RECOMMENDED FPC/FFC DIMENSION
 GENERAL TOLERANCE ±0.05

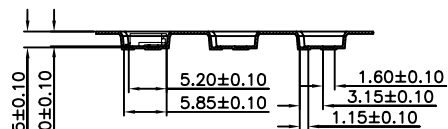
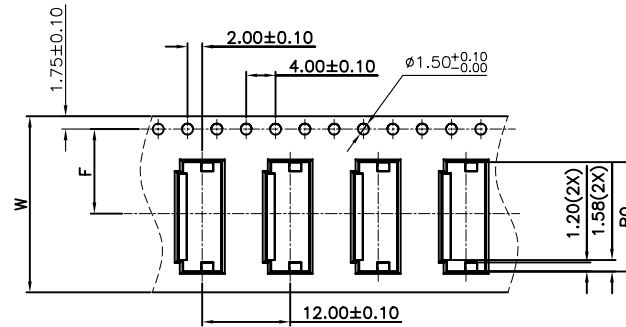
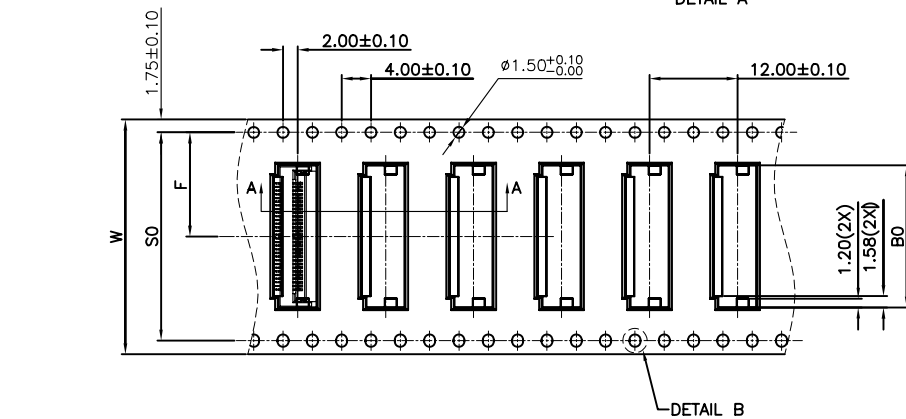
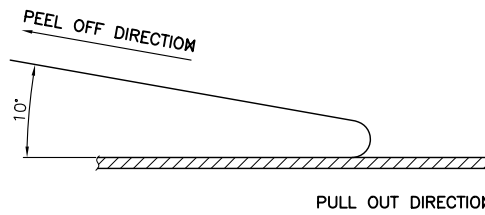
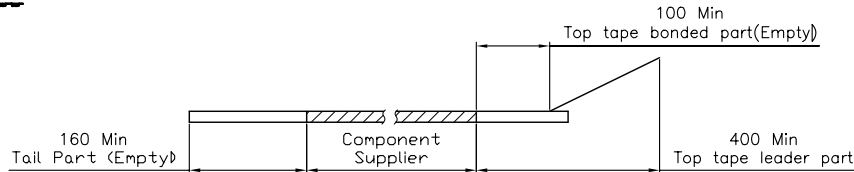
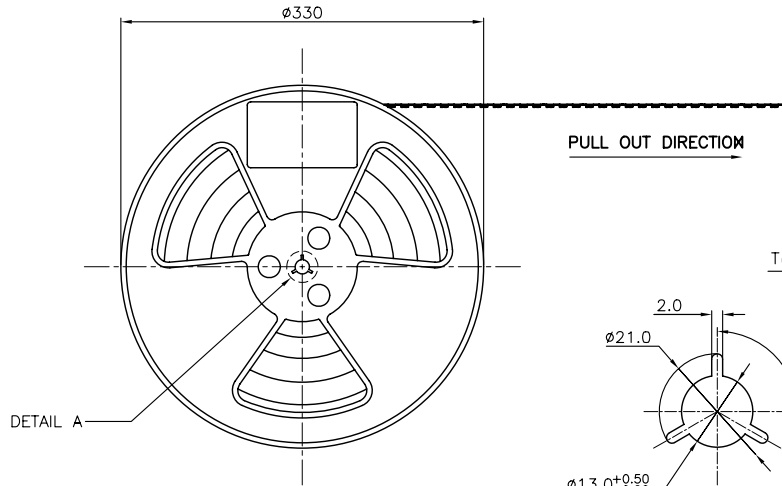
CUSTOMER DRAWING		深圳扬讯电子有限公司	
Tolerance Unspecified (未注公差)	Size(图幅): A4		
0.0 ±0.15 0° ±5°	Unit(单位): MM	Product Name(产品名称):	0.5Pitch H=1.75 R/A B/C SMT TYPE FPC CONNECTOR
0.00 ±0.10 0° ±3°	Scale(比例): 1:1	Product No(产品料号):	
0.000 ±0.05 0° ±1°	Project View (投影视角): 1 OF 1	AFC68-S**F***	
Rev 版本	初版发行	10/27/17	张孝雄
Rev 版本	Change Description 变更内容	Date 日期	Revisor 制/修订人
Designer(设计): 张孝雄		Checked(审核):	Approved(核准):

Rev 版本	初版发行	10/27/17	张孝雄
Rev 版本	Change Description 变更内容	Date 日期	Revisor 制/修订人

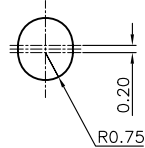


NOTES:

1. 10 SPROCKET HOLE PITCH CUMULATIVE TOLERANCE.±0.20mm
2. CARRIER CAMBER NOT TO EXCEED 1mm IN 250mm.
3. ALL DIMENSIONS MEET EIA-481-C REQUIREMENTS.
4. MATERIAL: BLACK ANTI-STATIC POLYSTYRENE.
5. THICKNESS: 0.30 ± 0.05 mm.
6. PACKING LENGTH PER 13" REEL : 24.60METERS.
7. COMPONENT LOAD PER 13" REEL : 2000PCS.
8. PEELING OFF FORCE OF TOP TAPE 0.1N~0.7N(10.2gf~71.4gf).



SECTION A-A
SCALE 1:1



DETAIL B
SCALE 5:1

Remark (For 1.0Pitch)	CKTS (For 0.5Pitch)	B0±0.10	W	W1	F	S0±0.10
	4	6.40				
	5	6.90	16+0.3/-0	16.4	7.5±0.10	
	6	7.40				
	7	7.90				
	8	8.40				
	9	8.90				
	10	9.40				
	11	9.90				
	12	10.40				
	13	10.90				
	14	11.40				
	15	11.90	24+0.3/-0	24.4	11.5±0.10	单边孔
	16	12.40				
	17	12.90				
	18	13.40				
	19	13.90				
	20	14.40				
	21	14.90				
	22	15.40				
	23	15.90				
	24	16.40				
	25	16.90				
	26	17.40	32±0.30	32.4	14.2±0.10	28.4
	27	17.90				
	28	18.40				
	29	18.90				
	30	19.40				
	31	19.90				
	32	20.40				
	33	20.90				
	34	21.40				
	35	21.90				
	36	22.40				
	37	22.90				
	38	23.40				
	39	23.90				
	40	24.40				
	41	24.90				
	42	25.40				
	43	25.90	44±0.30	44.4	20.2±0.15	40.4
	44	26.40				
	45	26.90				
	46	27.40				
	47	27.90				
	48	28.40				
	49	28.90				
	50	29.40				
	51	29.90				
	52	30.40				
	53	30.90				
	54	31.40				
	55	31.90				
	56	32.40				
	57	32.90				
	58	33.40	56±0.30	56.4	26.2±0.15	52.4
	59	33.90				
	60	34.40				
	61	34.90				

CLASSIFICATION DIMENSION (尺寸类别):
 FAL (首次检验) ① To ②
 ■ MARK IS MAJOR DIM (重点尺寸标示)
 * MARK IS CRITICAL DIM (Cpk&Cp标示)

Tolerance Unspecified (未注公差)
 0.0 ±0.10 0° ±3°
 0.00 ±0.05 0° 0 ±2°
 0.000 ±0.02 0° 00 ±1°

Size (图幅): A4
 Unit (单位): MM
 Scale (比例): 1:1

Project View (投影视角): 1 OF 1

深圳扬讯电子有限公司

Product Name (产品名称): 0.5Pitch H=1.75 FPC 掀盖卧式SMT型, 载带

Product No (产品料号): EB-585XXX215-00

Drawing No (图面编号): DNE00092-1
 Date (日期): 2017/10/23

Designer (设计): 张孝雄 10/23/17
 Checked (审核):
 Approved (核准):

Rev	Date	Revisor
1.0	2017/10/23	张孝雄
版本	日期	制/修订人

